

PRODUCT CATALOGUE



HDMI CABLES

www.defangtech.com

DF HDMI Catalog Index 2025

HDMI Range

1. HDMI BC 4K Version ————— 03
2. HDMI BC 4K Premium Version ————— 04
3. HDMI BC 8K Version ————— 05

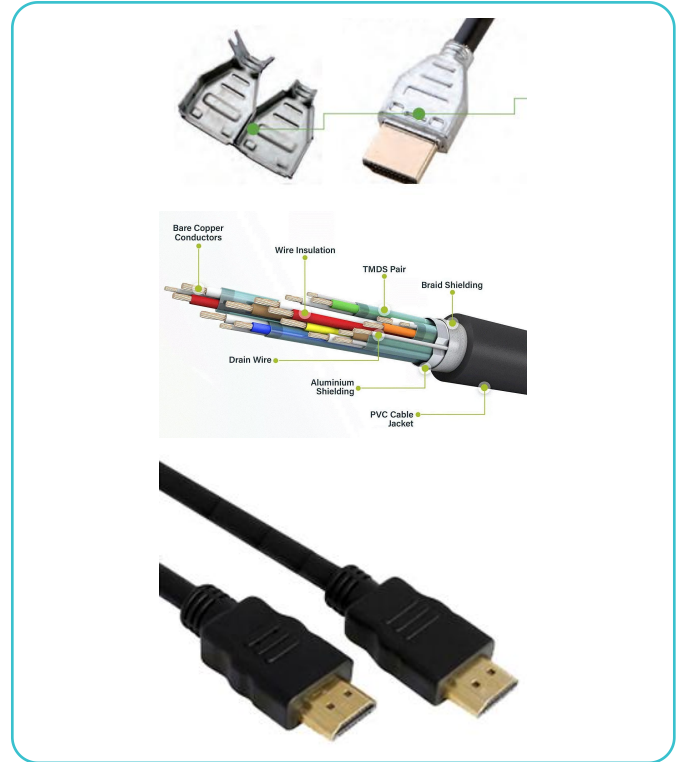
High Definition Multimedia Interface

BC 4K Version

Feature

- Support Receive Over-The-Air Digital Broadcast to your
- Digital TV, Projector, and Computer Monitor.
- Use two Tin plated sheets bonding process.
- EMI range up to -2db with better shielding effect.
- Optional gold and nickel plating.
- length: 5FT, 6FT,7FT
- Pass 4K and HDMI ATC test.
- Meet the HDMI2.0:High speed HDMI cable.

Product image



Specification

Part number	DFHC2013306B
Conductor	30AWG Bare Copper high purity 99.99% OFHC, oxygen-free copper
Insulation	PE
Braid	Aluminum magnesium alloy wire
Jacket	PVC
Cable Diameter	6.0MM
Connector	Shell Gold plated; Pin Gold plated
Length	6FT
UL Certification	UL 20276/UL758
Packing	1PC/Bag

High Definition Multimedia Interface

Feature

- Pass HDMI ATC Certificate of Premium cable test.
- Support the full 18Gbps bandwidth
- Pass the HDMI 2.0b specification EMI test to ensure
- cables minimize interference with wireless signals.
- Suitable for 30AWG wire gauge and 28 wire gauge.
- Compliant to HDMI High Speed with Ethernet
- length: 5FT, 6FT, 7FT
- Using a unique anti-counterfeiting authentication label.

BC 4K Premium Version

Product image



Part number	DFHC2013306B-P
Conductor	30AWG Bare Copper high purity 99.99% OFHC , oxygen-free copper
Insulation	PE
Braid	Aluminum magnesium alloy wire
Jacket	PVC
Cable Diameter	6.0MM
Connector	Shell Nickel Plated; Pin Gold plated
Length	6FT
UL Certification	UL 20276/UL758/HDMI Premium Certified
Packing	1PC/Bag

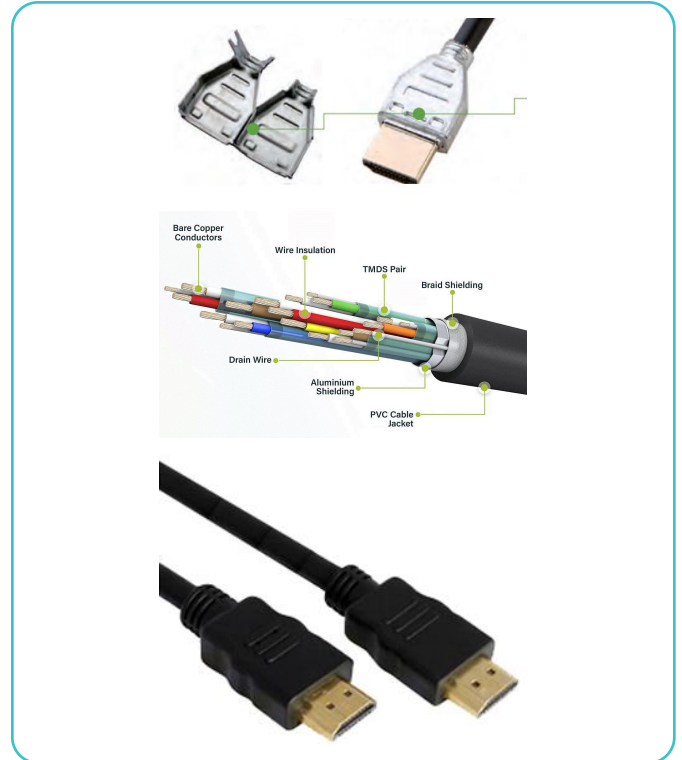
High Definition Multimedia Interface

BC 8K Version

Feature

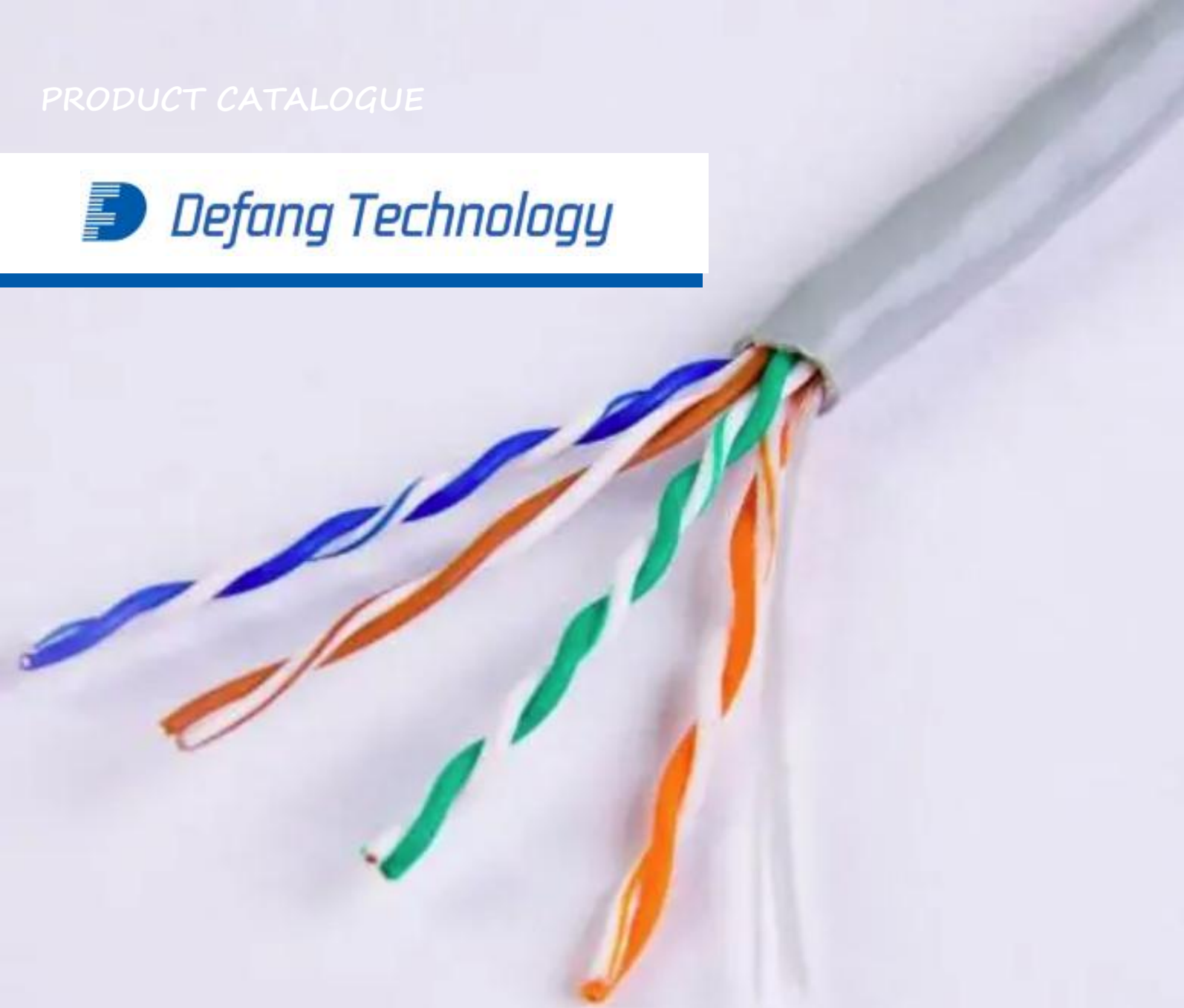
- Support Receive Over-The-Air Digital Broadcast to your
- Digital TV, Projector, and Computer Monitor.
- Use two Tin plated sheets bonding process.
- EMI range up to -2db with better shielding effect.
- Optional gold and nickel plating.
- length: 4M
- Pass 8K and HDMI ATC test.
- Meet the HDMI2.1:High speed HDMI 8K cable.

Product image



Specification

Part number	DFHC2024264B
Conductor	26 AWG Bare Copper high purity 99.99% OFHC, oxygen-free copper
Insulation	PE
Braid	Aluminum magnesium alloy wire
Jacket	PVC
Cable Diameter	8.0MM
Connector	Shell Nickel plated; Pin Gold plated
Length	4M
UL Certification	UL 20276/UL758
Packing	1PC/Bag



U/UTP CABLES ECO. VER

COMPANY INTRODUCTION

Defang Technology is a leading manufacturer and distributor of cable products, OEM power supplies, Fiber Optic Cables and Terminals.

We are specialized in designing, manufacturing and marketing various Cables (HDMI cable, CAT 5/6 cable, Audio & Video cables, computer cables, Fiber Optic cables), premise equipment power supplies/cables, FTTx Series and telecommunication products.

Majority of our products are sold in North America, South America and EMEA. Defang has earned high reputation from our customers for its excellent product quality, outstanding customer service (e.g., product customization, kitting and worry-free shipping and custom clearance) and lowest total cost Of ownership.

Defang's main office is in Shanghai, China, and we have several manufacturing facilities in China and Mexico, all of which are compliant to ISO9001 :2000 standards.

Defang is a member of HDMI Association and has HDMI ATC I.4 certification. All of our products are 100% RoHS compliant.

Defang takes pride in our quality control system and customer service-oriented culture. Our goal is to provide our customers high quality products with IOW cost of ownership and with superior customer service. We want to be a responsible, flexible and value adding partner of your business.



UTP CABLE Product Naming

DF XXXX XXX XXXX XX-XX XXX XX
 1 2 3 4 5 6 7 8

1- Company Name	Defang Technology
2- Categories	<ul style="list-style-type: none"> CAT5---"CAT5E" CAT6A --- "CAT6A" CAT6 --- "CAT6A"
3- Sheath material	<ul style="list-style-type: none"> PVC --- "PVC no fire rating" CM --- "PVC CM fire level" CMR ---"PVC CMR fire level" CMP --- "PVC CMP fire level" CMX ---"CMX fire level" LSZH --- "Low Smoke Zero Halogen" with fire rating PE- "PE Jacket"
4- Conductor	<ul style="list-style-type: none"> "Blank" --- Bare copper conductor CCA --- Copper Clad Aluminum conductor
5- Jacket Color	<ul style="list-style-type: none"> WH -- "White" RD -- "Red" BK -- "Black" BL --- "Blue" GY --- "Grey" GN --- "Green" YL --- "Yellow" IV --- "Ivory" PL --- "Purple" OR--- "Orange"
6- Condition	<ul style="list-style-type: none"> 01 --- "Meet Fluke testing 50M Only" 02 --- "Meet Fluke testing 70M Only" 03 --- "Meet Fluke testing 80M Only" 04 --- "Meet Fluke testing 90M Only" Blank--- "Meet Fluke testing 90M & Network Analyzer 100M"
7-Skeleton&Rip Cord	<ul style="list-style-type: none"> NR --- "No Rip Cord " NS --- " No Skeleton" NSR --- "No Skeleton & Rip Cord "
8- Package	<ul style="list-style-type: none"> Blank --- "DF default packing in Pull Box" RL --- "DF default packing in Reel" X --- "B for customized packing in Pull Box" XRL --- "B for customized packing in Reel"



Category 6 U/UTP 4 pair

U/UTP CABLES

Category 6 U/UTP 4 pair

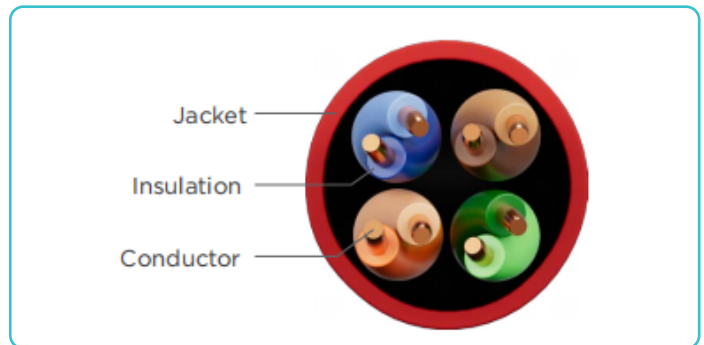
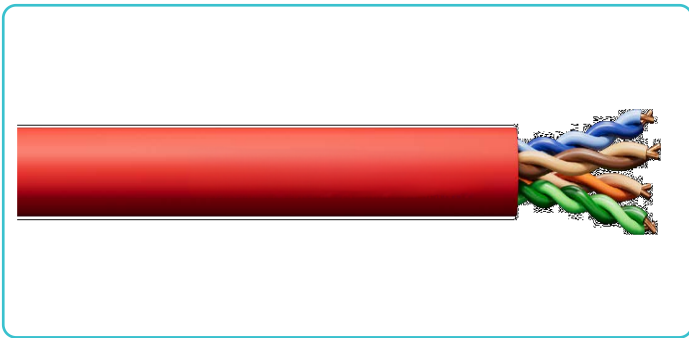
CAT6 U/UTP 4 pair PVC NO Rip Cord & skeleton

Description

These cables, for internal installations, are employed in the manufacture of patch cables. These are used in distribution cabinets and in network workstation connections. They offer excellent transmission characteristics exceeding Cat 6 requirements with values at 250 MHz, superior to any other cable on the market. The outer sheath can be in PVC (standard product) or in non-halogenated material (by special order).

Product Classification

Regional Availability	America / Latin America
Brand name	DE FANG
Product Type	Twisted pair cable



General Specifications

ANSI/TIA Category	6
Cable Component Type	Horizontal
Cable Type	U/UTP (unshielded)
skeleton	NO
Conductors, quantity	8
Jacket Color	According to customer requirements
Rip Cord	NO
Transmission Standards	ANSI/TIA-568.C-2 ISO/IEC 11801 UL444

Dimensions

Cable Length	305 m 1000 ft
Diameter Over Conductor	1.0 mm
Diameter Over Jacket, nominal	6.2 mm
Conductor Gauge, singles	23 AWG 0.57mm

Category 6 U/UTP 4 pair

CAT6 U/UTP 4 pair PVC NO Rip Cord &
skeleton

Electrical Specifications

Operating Voltage, maximum	80 V
Impedance 1-250Mhz	100±15Ω
Delay Shew 1-250Mhz	≤45ns/100m
DC Resistance	≤6.66Ω/100m
DC Conductor Resistance Unbalance	≤5%
Capacitance	≤5.6nF/100m @ 500MHZ
Insulation Resistance	≥5000MΩ*km

Material Specifications

Conductor Material	Bare copper
Insulation Material	Skin-foam-skin-Polyolefin
Jacket Material	PVC (CM,CMR, CMP)

Technical Performance (Fluke Link 90M)

Frequency (MHz)	RL ≥dB	ATT ≤dB	Next ≥dB	Phase Delay ≥ns	PS Next ≥dB	ELFEXT ≥dB	PS ELFEXT ≥dB
1.0	20.0	2.03	74.3	570.00	72.3	68.0	65.0
4.0	23.0	3.78	65.3	552.00	63.3	56.0	53.0
8.0	24.5	5.32	60.8	546.73	58.7	49.9	46.9
10.0	25.0	5.95	59.3	545.38	57.3	48.0	45.0
16.0	25.0	7.55	56.2	543.00	54.2	43.9	40.9
20.0	25.0	8.47	54.8	542.05	52.8	42.0	39.0
25.0	24.3	9.51	53.3	541.20	51.3	40.0	37.0
31.25	23.6	10.67	52.0	540.44	49.9	38.1	35.1
62.5	21.5	15.38	47.4	538.55	45.4	32.1	29.1
100	20.1	19.80	44.3	537.60	42.3	28.0	25.0
200	18.0	28.98	39.8	536.54	37.8	22.0	19.0
250	17.3	32.85	38.3	536.27	36.3	20.0	17.0

Category 6 U/UTP 4 pair

CAT6 U/UTP 4 pair PVC NO Rip Cord & skeleton

Mechanical Characteristics

Installation Temperature	-20°C to +60°C
Operating Temperature	-20°C to +60°C
Elongation Before Aging	≥300% (Insulation), ≥100% (Jacket)
Tensile Strength Before Aging	≥16.5MPa (Insulation), ≥13.8MPa (Jacket)
Elongation After Aging	≥75% of unaged (Insulation); ≥50% of unaged (Jacket)
Tensile Strength After Aging	≥75% of unaged (Insulation); ≥85% of unaged (Jacket)

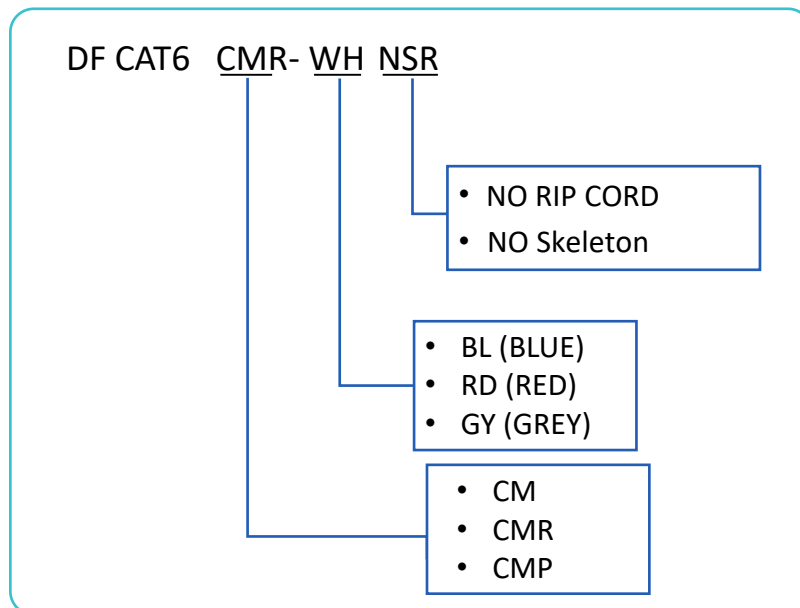
Certification

- ETL/UL LISTED

Ordering Info.

DF PN	Jacket	Packaging	Size (cm)	G.W. (KG)
DFCAT6CMR-WHNRS	CMR WHITE	Pull Box 1000FT	40*40*24	13
DFCAT6CMP-WHNRS	CMP WHITE	Pull Box 1000FT	40*40*24	14.5

Example



Category 6 U/UTP 4 pair

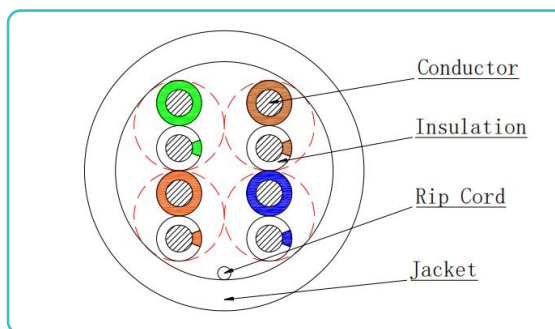
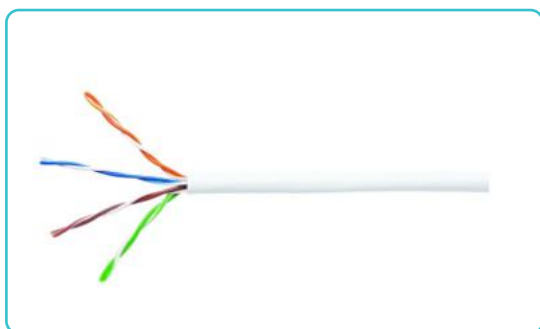
CAT6 U/UTP 4 pair PVC CCA
Conductor

Description

These cables, for internal installations, are employed in the manufacture of patch cables. These are used in distribution cabinets and in network workstation connections. They offer excellent transmission characteristics exceeding Cat 5e requirements, with values of 125 MHz superior to other cables on the market. The outer sheath can be in PVC or in non-halogenated material (by special order).

Product Classification

Regional Availability	America / Latin America
Brand name	DE FANG
Product Type	Twisted pair cable



General Specifications

ANSI/TIA Category	6
Cable Component Type	Horizontal
Cable Type	U/UTP (unshielded)
Skeleton	YES
Conductors, quantity	8
Jacket Color	According to customer requirements
Rip Cord	YES
Transmission Standards	ANSI/TIA-568.C-2

Dimensions

Cable Length	305 m 1000 ft
Diameter Over Conductor	1.02 mm
Diameter Over Jacket, nominal	6.0 mm
Conductor Gauge, singles	23 AWG 0.57 mm

Category 6 U/UTP 4 pair CMR CCA

CAT6 U/UTP 4 pair PVC CCA
Conductor

Electrical Specifications

Operating Voltage, maximum	80 V
Impedance 1-100Mhz	100±15Ω
Delay Shew 1-100Mhz	≤45ns/100m
DC Resistance	≤150Ω/Km
DC Conductor Resistance Unbalance	≤5%
Capacitance	≤5.6nF/100m
Nominal Velocity of Propagation (NVP)	69%

Material Specifications

Conductor Material	Copper Clad Aluminum
Insulation Material	High Density Polyethylene
Jacket Material	PVC CMR

Channel transmission performance (50M/70M/90M)

Frequency (MHz)	Insertion Loss ≤dB	NEXT ≥dB	PS NEXT ≥dB	ACRF ≥dB	PSACRF ≥dB	Return Loss ≥dB	Delay ≤ns
1.0	2.1	65.0	62.0	63.3	60.3	19.0	580.0
4.0	4.0	63.0	60.5	51.2	48.2	19.0	562.0
8.0	5.7	58.2	55.6	45.2	42.2	19.0	557.0
10.0	6.3	56.6	54.0	43.3	40.3	19.0	555.0
16.0	8.0	53.2	50.6	39.2	36.2	18.0	553.0
20.0	9.0	51.6	49.0	37.2	34.2	17.5	552.0
25.0	10.1	50.0	47.3	35.3	32.3	17.0	551.0
31.25	11.4	48.4	45.7	33.4	30.4	16.5	550.0
62.5	16.5	43.4	40.6	27.3	24.3	14.0	549.0
100	21.3	39.9	37.1	23.3	20.3	12.0	548.0
200	31.5	34.8	31.9	17.2	14.2	9.0	547.0
250	35.9	33.1	30.2	15.3	12.3	8.0	546.0

Category 6 U/UTP 4 pair CMR CCA

CAT6 U/UTP 4 pair PVC CCA
Conductor

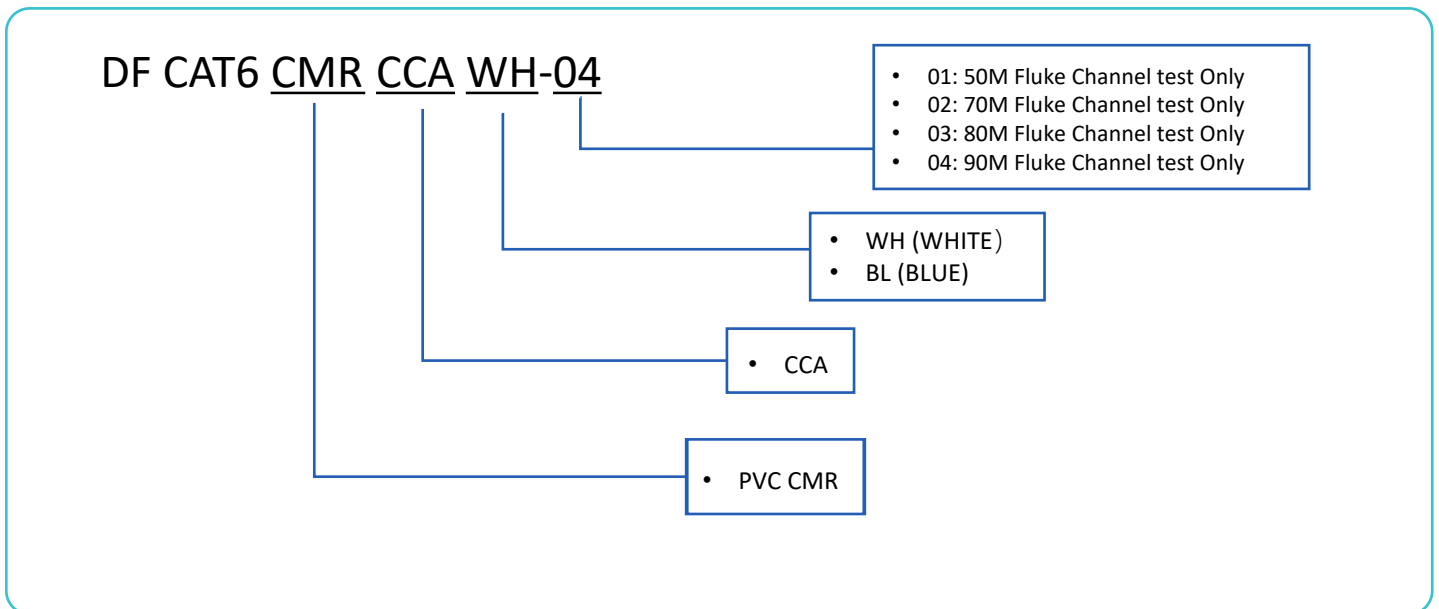
Mechanical Characteristics

Installation Temperature	-20°C to +60°C
Operating Temperature	-20°C to +60°C
Elongation Before Aging	≥300% (Insulation) ,≥100% (Jacket)
Tensile Strength Before Aging	≥10MPa (Insulation), ≥8MPa (Jacket)
Elongation After Aging	≥75% of unaged (Insulation); ≥50% of unaged (Jacket)
Tensile Strength After Aging	≥75% of unaged (Insulation); ≥85% of unaged (Jacket)

Ordering Info.

DF PN	Jacket	Packaging	Size (cm)	G.W. (KG)
DFCAT6CMRCCA BL-04	PVC CMR	Pull Box 1000FT	40*40*24	9.5

Example





Category 5e U/UTP 4 pair

U/UTP CABLES

Category 5e U/UTP 4 pair

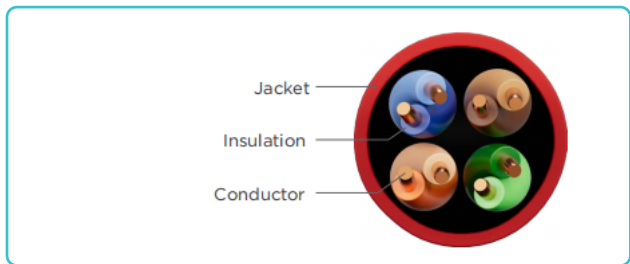
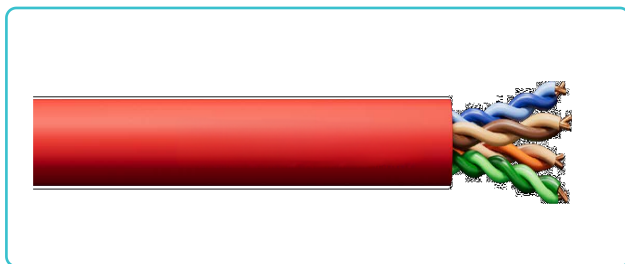
CAT5 U/UTP 4 pair PVC NO Rip Cord

Description

These cables, for internal installations, are employed in the manufacture of patch cables. These are used in distribution cabinets and in network workstation connections. They offer excellent transmission characteristics exceeding Cat 5e requirements, with values of 125 MHz superior to other cables on the market. The outer sheath can be in PVC or in non-halogenated material (by special order).

Product Classification

Regional Availability	America / Latin America
Brand name	DE FANG
Product Type	Twisted pair cable



General Specifications

ANSI/TIA Category	5e
Cable Component Type	Horizontal
Cable Type	U/UTP (unshielded)
Conductor Type, singles	Solid
Conductors, quantity	8
Jacket Color	According to customer requirements
Rip Cord	NO
Transmission Standards	ANSI/TIA-568.C-2 ISO/IEC 11801 UL444

Dimensions

Cable Length	305 m 1000 ft
Diameter Over Conductor	0.87 mm
Diameter Over Jacket, nominal	5.0 mm
Conductor Gauge, singles	24 AWG 0.51mm

Category 5e U/UTP 4 pair

CAT5 U/UTP 4 pair PVC NO Rip Cord

Electrical Specifications

Operating Voltage, maximum	80 V
Impedance 1-100Mhz	100±15Ω
Delay Shew 1-100Mhz	≤45ns/100m
DC Resistance	≤9.38Ω/100m
DC Conductor Resistance Unbalance	≤5%
Capacitance	≤5.6nF/100m
Nominal Velocity of Propagation (NVP)	69%

Material Specifications

Conductor Material	Bare copper
Insulation Material	Polyolefin
Jacket Material	PVC (CMR,CMP)

Technical Performance (100M)

Frequency (MHz)	RL ≥dB	ATT ≤dB	Next ≥dB	Phase Delay ≤ns	PS Next ≥dB	ELFEXT ≥dB	PS ELFEXT ≥dB
1.0	20.0	2.0	65.3	570.00	62.3	63.8	60.8
4.0	23.0	4.1	56.3	552.00	53.3	51.8	48.8
8.0	24.5	5.8	51.8	546.73	48.8	45.7	42.7
10.0	25.0	6.5	50.3	545.38	47.3	43.8	40.8
16.0	25.0	8.2	47.2	543.00	44.4	39.7	36.7
20.0	25.0	9.3	45.8	542.05	42.8	37.8	34.8
25.0	24.3	10.4	44.3	541.20	41.3	35.8	32.8
31.25	23.6	11.7	42.9	540.44	39.9	33.9	30.9
62.5	21.5	17.0	38.4	538.55	35.4	27.9	24.9
100	20.1	22.0	35.3	537.60	32.3	23.8	20.8

Category 5e U/UTP 4 pair

CAT5 U/UTP 4 pair PVC NO Rip Cord

Mechanical Characteristics

Installation Temperature	-20°C to +60°C
Operating Temperature	-20°C to +60°C
Elongation Before Aging	≥300% (Insulation) ,≥100% (Jacket)
Tensile Strength Before Aging	≥16.5MPa (Insulation), ≥13.8MPa (Jacket)
Elongation After Aging	≥75% of unaged (Insulation); ≥50% of unaged (Jacket)
Tensile Strength After Aging	≥75% of unaged (Insulation); ≥85% of unaged (Jacket)

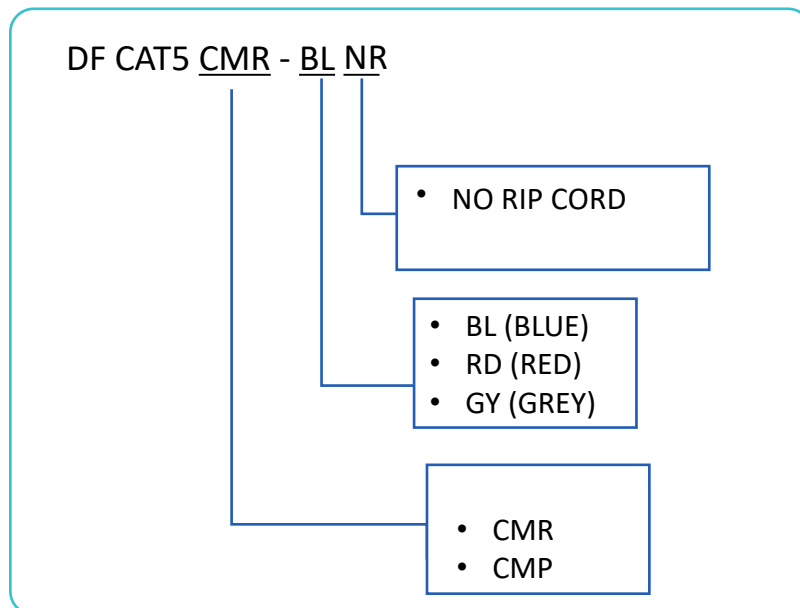
Certification

- ETL/UL LISTED

Ordering Info.

DF PN	Jacket	Packaging	Size (cm)	G.W. (KG)
DFCAT5CMR-WHNR	CMR WHITE	Pull Box 1000FT	35*35*22	9.5
DFCAT5CMP-BLNR	CMP BLUE	Pull Box 1000FT	35*35*22	10.5

Example



Category 5e U/UTP 4 pair CMR CCA

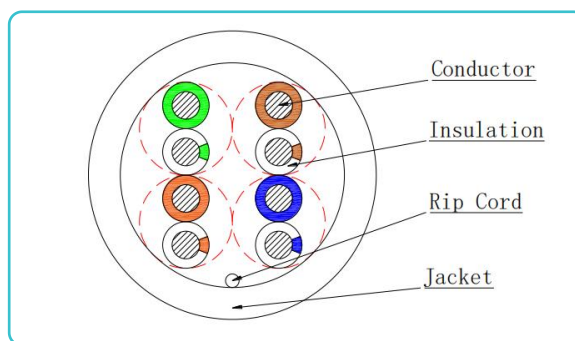
CAT5 U/UTP 4 pair PVC CCA Conductor

Description

These cables, for internal installations, are employed in the manufacture of patch cables. These are used in distribution cabinets and in network workstation connections. They offer excellent transmission characteristics exceeding Cat 5e requirements, with values of 125 MHz superior to other cables on the market. The outer sheath can be in PVC or in non-halogenated material (by special order).

Product Classification

Regional Availability	America / Latin America
Brand name	DE FANG
Product Type	Twisted pair cable



General Specifications

ANSI/TIA Category	5e
Cable Component Type	Horizontal
Cable Type	U/UTP (unshielded)
Conductor Type, singles	Solid
Conductors, quantity	8
Jacket Color	According to customer requirements
Rip Cord	YES
Transmission Standards	ANSI/TIA-568.C-2

Dimensions

Cable Length	305 m 1000 ft
Diameter Over Conductor	0.91 mm
Diameter Over Jacket, nominal	5.0 mm
Conductor Gauge, singles	24 AWG 0.50 mm

Category 5e U/UTP 4 pair CMR CCA

CAT5 U/UTP 4 pair PVC CCA
Conductor

Electrical Specifications

Operating Voltage, maximum	80 V
Impedance 1-100Mhz	100±15Ω
Delay Shew 1-100Mhz	≤45ns/100m
DC Resistance	≤150Ω/100m
DC Conductor Resistance Unbalance	≤5%
Capacitance	≤5.6nF/100m
Nominal Velocity of Propagation (NVP)	69%

Material Specifications

Conductor Material	Copper Clad Aluminum
Insulation Material	High Density Polyethylene
Jacket Material	PVC CMR

Channel transmission performance(50M/70M/90M)

Frequency (MHz)	Insertion Loss≤dB	NEXT ≥dB	PS NEXT ≥dB	ACRF ≥dB	PSACRF ≥dB	Return Loss ≥dB	Delay ≤ns
1.0	2.2	60.0	57.0	57.4	54.4	17.0	580.0
4.0	4.5	53.5	50.5	45.4	42.4	17.0	562.0
8.0	6.3	48.6	45.6	39.3	36.3	17.0	557.0
10.0	7.1	47.0	44.0	37.4	34.4	17.0	555.0
16.0	9.1	43.6	40.6	33.3	30.3	17.0	553.0
20.0	10.2	42.0	39.0	31.4	28.4	17.0	552.0
25.0	11.4	40.3	37.3	29.4	26.4	16.0	551.0
31.25	12.9	38.7	35.7	27.5	24.5	15.1	550.0
62.5	18.6	33.6	30.6	21.5	18.5	12.1	549.0
100	24.0	30.1	27.1	17.4	14.4	10.0	548.0

Category 5e U/UTP 4 pair CMR CCA

CAT5 U/UTP 4 pair PVC CCA
Conductor

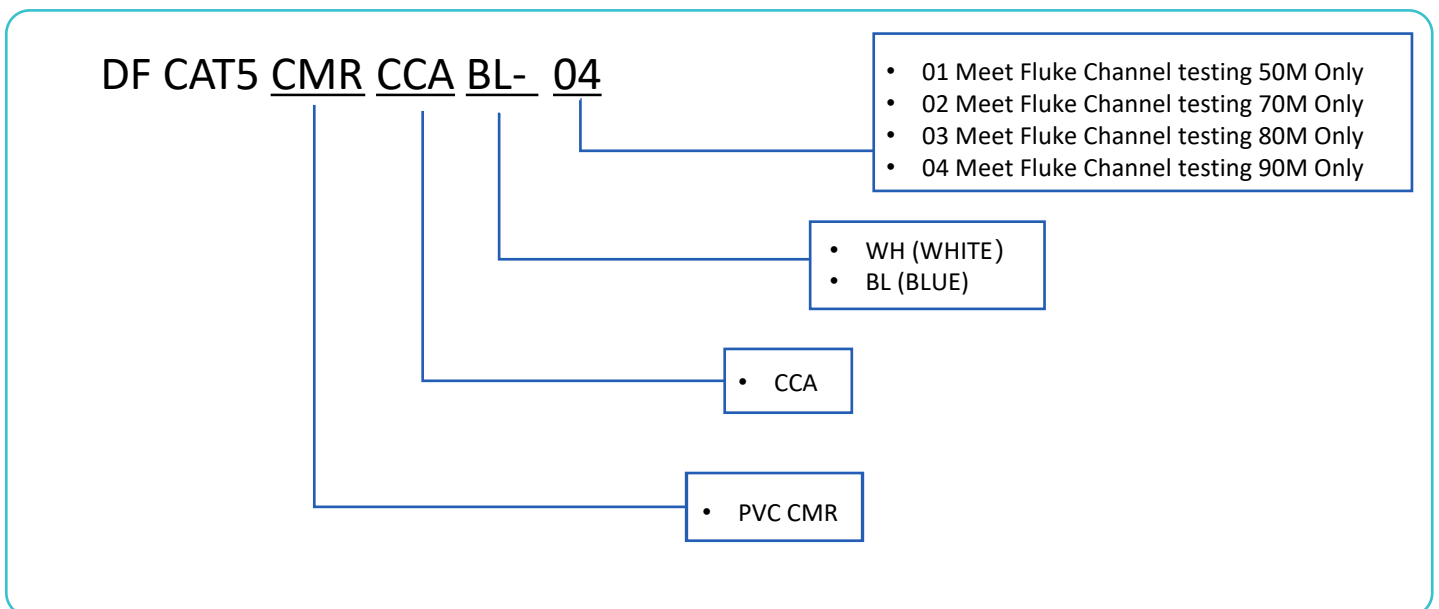
Mechanical Characteristics

Installation Temperature	-20°C to +60°C
Operating Temperature	-20°C to +60°C
Elongation Before Aging	≥300% (Insulation), ≥100% (Jacket)
Tensile Strength Before Aging	≥10MPa (Insulation), ≥8MPa (Jacket)
Elongation After Aging	≥75% of unaged (Insulation); ≥50% of unaged (Jacket)
Tensile Strength After Aging	≥75% of unaged (Insulation); ≥85% of unaged (Jacket)

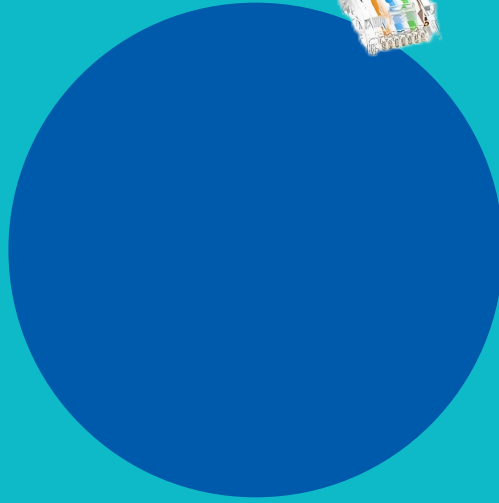
Ordering Info.

DF PN	Jacket	Packaging	Size (cm)	G.W. (KG)
DFCAT5CMRCCA BL-04	PVC CMR	Pull Box 1000FT	35*35*20	9.5

Example



PRODUCT CATALOGUE



JUMPER CABLES

www.defangtech.com

DF JUMPER Index 2025

Jumper Range

1. CAT5 BC Booted Version ————— 03
2. CAT5 BC None Booted Version ————— 04
3. CAT6 BC Booted Version ————— 05
4. CAT6 BC None Booted Version ————— 06

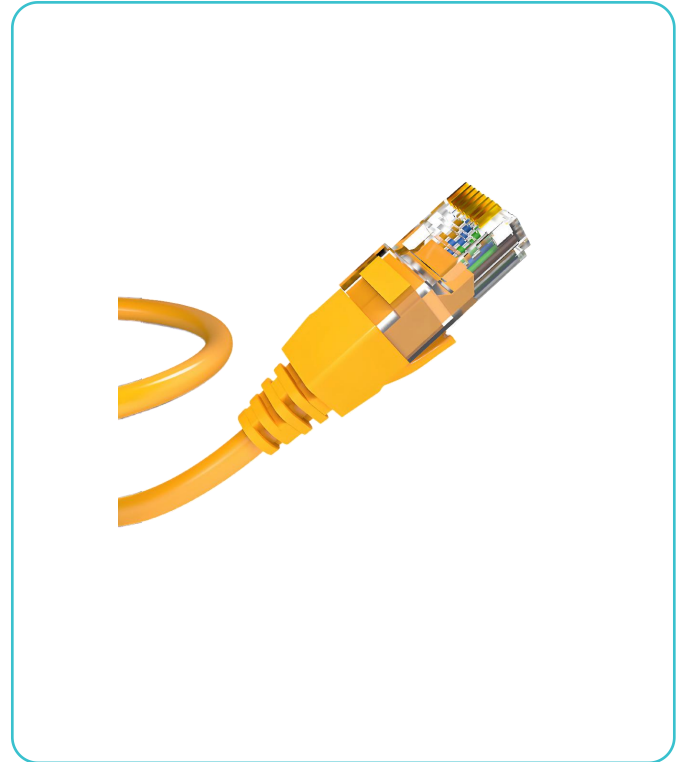
CAT5 JUMPER UTP CABLE

BC Booted Version

Feature

- CAT5 (Category 5) Copper Conductor cable jumpers are a common type of network cable used to transmit data in local area networks (Lans).
- The CAT5 cable supports frequencies up to 100 MHz and is capable of delivering a transfer rate of 100 Mbps for 100BASE-TX (Fast Ethernet) and 1000BASE-T (Gigabit Ethernet) networking standards. Use two Tin plated sheets bonding process.
- The CAT5 network cable contains four pairs of twisted pairs inside, which helps reduce electromagnetic interference (EMI) and crosstalk, thereby improving signal quality. Optional gold and nickel plating.
- length: 5FT, 6FT, 7FT, etc.
- CAT5 cable is suitable for home, office and data center network connection, can be used to connect computers, switches, routers, network cameras and other devices.

Product image



Specification

Part number	DFCAT505-BK
Conductor	26AWG Bare Copper
Insulation	PE
Jacket	PVC CM
Cable Diameter	5.2MM
Plug	RJ45 8P8C 3u Pin Gold plated
Length	5FT
Booted	YES
UL Certification	YES
Packing	1PC/Bag

CAT5 JUMPER UTP CABLE

BC None Booted Version

Feature

- CAT5 (Category 5) Copper Conductor cable jumpers are a common type of network cable used to transmit data in local area networks (Lans).
- The CAT5 cable supports frequencies up to 100 MHz and is capable of delivering a transfer rate of 100 Mbps for 100BASE-TX (Fast Ethernet) and 1000BASE-T (Gigabit Ethernet) networking standards. Use two Tin plated sheets bonding process.
- The CAT5 network cable contains four pairs of twisted pairs inside, which helps reduce electromagnetic interference (EMI) and crosstalk, thereby improving signal quality. Optional gold and nickel plating.
- length: 5FT, 6FT, 7FT, etc.
- CAT5 cable is suitable for home, office and data center network connection, can be used to connect computers, switches, routers, network cameras and other devices.

Product image



Specification

Part number	DFCAT505-GYNB
Conductor	26AWG Bare Copper
Insulation	PE
Jacket	PVC CM
Cable Diameter	5.2MM
Plug	RJ45 8P8C 3u Pin Gold plated
Length	5FT
Booted	No
UL Certification	Yes
Packing	1PC/Bag

CAT6 JUMPER UTP CABLE

BC Booted Version

Feature

- The CAT6 cable supports frequencies up to 250 MHz and is capable of delivering a transfer rate of 1 Gbps (Gigabit per second) for 1000BASE-T (Gigabit Ethernet) and 10GBASE-T (ten-Gigabit Ethernet, over shorter distances) networking standards.
- The CAT6 network cable has a bandwidth of 250 MHz, which is higher than the CAT5e (100 MHz), which means it can transmit data over a higher frequency range, reducing signal attenuation and interference. The CAT5 network cable contains four pairs of twisted pairs inside, which helps reduce electromagnetic interference (EMI) and crosstalk, thereby improving signal quality. Optional gold and nickel plating.
- RJ45 8P8C Connector
- length: 5FT, 6FT, 7FT, etc.

Product image



Specification

Part number	DFCAT605-BL
Conductor	24AWG Bare Copper
Insulation	PE
Jacket	PVC CM
Cable Diameter	5.5MM
Plug	RJ45 8P8C 3u Pin Gold plated
Length	5FT
Booted	YES
UL Certification	YES
Packing	1PC/Bag

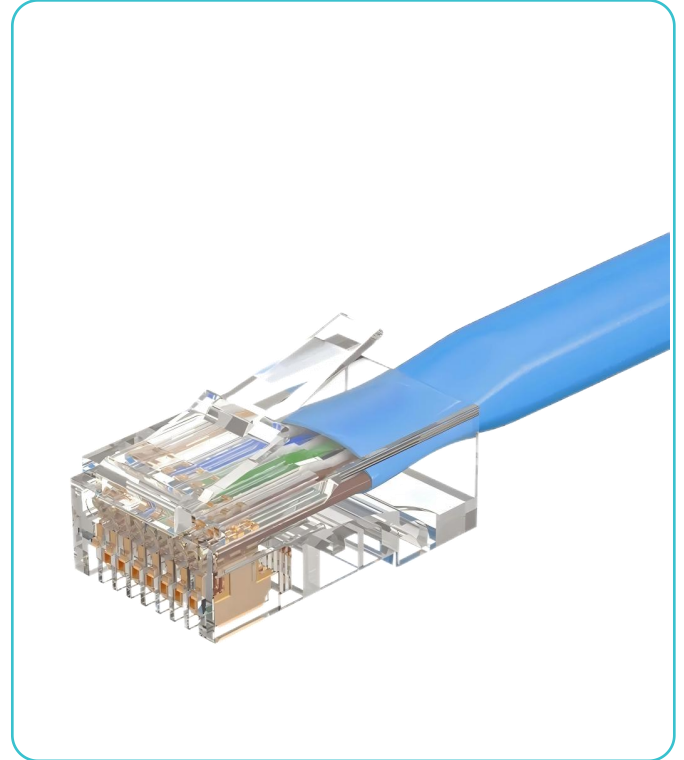
CAT6 JUMPER UTP CABLE

BC None Booted Version

Feature

- The CAT6 cable supports frequencies up to 250 MHz and is capable of delivering a transfer rate of 1 Gbps (Gigabit per second) for 1000BASE-T (Gigabit Ethernet) and 10GBASE-T (ten-Gigabit Ethernet, over shorter distances) networking standards.
- The CAT6 network cable has a bandwidth of 250 MHz, which is higher than the CAT5e (100 MHz), which means it can transmit data over a higher frequency range, reducing signal attenuation and interference. The CAT5 network cable contains four pairs of twisted pairs inside, which helps reduce electromagnetic interference (EMI) and crosstalk, thereby improving signal quality. Optional gold and nickel plating.
- RJ45 8P8C Connector
- length: 5FT, 6FT, 7FT, etc.

Product image



Specification

Part number	DFCAT607-BLNB
Conductor	24AWG Bare Copper
Insulation	PE
Jacket	PVC CM
Cable Diameter	5.5MM
Plug	RJ45 8P8C 3u Pin Gold plated
Length	7FT
Booted	NO
UL Certification	YES
Packing	1PC/Bag



POWER SUPPLY

WALL TYPE

Description

1. Rated Input Voltage/Frequency: 100~240V / 50~60Hz
2. Input Current: <0.3A
3. Rated Output Voltage/Current: 5V/1.5A
4. Inrush Current: <100A
5. Ripple & Noise: < 100 mVp-p
6. Protection Function: OCP, OVP, SCP
7. Surge immunity Common mode: 6KV; Differential mode: 6KV Max
8. Rated Output Power: 7.5W max
9. Efficiency Level: VI
10. Input Plug: US 2PIN
11. Product Size: 56.12*29.3*42mm
12. Safety certification: UL
13. Operating temperature range: 0°C to +50°C, 5%RH to 95%RH
14. Product Model: **DFP051500W-WU72 2351**
15. Application: Set top box, Network terminal, A&V player, Mobile storage device, POS, etc.

Product image

Dejiong Technology



WALL TYPE

12V/1A 12W Wall Mount Adaptor

Description

1. Rated Input Voltage/Frequency: 100~240V / 50~60Hz
2. Input Current: <0.3A
3. Rated Output Voltage/Current: 12V/1A
4. Inrush Current: <60A
5. Ripple & Noise: < 120 mVp-p
6. Protection Function: OCP, OVP, SCP
7. Surge immunity Common mode: 4KV; Differential mode: 4KV Max
8. Rated Output Power: 12W max
9. Efficiency Level: VI
10. Input Plug: US 2PIN
11. Product Size: 56.3*28.3*42.7mm
12. Safety certification: UL
13. Operating temperature range: 0°C to +40°C, 20%RH to 95%RH
14. Product Model: **DFP121000W-WU82 4421**
15. Application: Set top box, Network terminal, A&V player, Mobile storage device, POS, etc.

Product image



WALL TYPE

12V/2A 24W Wall Mount Adaptor

Description

1. Rated Input Voltage/Frequency: 100~240V / 50~60Hz
2. Input Current: <1A
3. Rated Output Voltage/Current: 12V/1A
4. Inrush Current: <60A
5. Ripple & Noise: < 120mVp-p
6. Protection Function: OCP, OVP, SCP
7. Surge immunity Common mode: 6KV; Differential mode: 6KV Max
8. Rated Output Power: 24W max
9. Efficiency Level: VI
10. Input Plug: US 2PIN
11. Product Size: 80*34.5*45mm
12. Safety certification: UL
13. Operating temperature range: -10°C to +45°C, 10%RH to 90%RH
14. Product Model: **DFP122000W-WU82 2421**
15. Application: Set top box, Network terminal, A&V player, Mobile storage device, POS, etc.

Product image



WALL TYPE

12V/3.5A 42W Wall Mount Adaptor

Description

1. Rated Input Voltage/Frequency: 100~240V / 50~60Hz
2. Input Current: <1.2A
3. Rated Output Voltage/Current: 12V/3.5A
4. Inrush Current: <100A
5. Ripple & Noise: < 100 mVp-p
6. Protection Function: OCP, OVP, SCP
7. Surge immunity Common mode: 6KV; Differential mode: 6KV Max
8. Rated Output Power: 42W max
9. Efficiency Level: VI
10. Input Plug: US 2PIN
11. Product Size: 87*36.5*52mm
12. Safety certification: US
13. Operating temperature range: 0°C to +40°C, 10%RH to 90%RH
14. Product Model: **DFP123500W-LU72 2231**
15. Application: Set top box, Network terminal, A&V player, Mobile storage device, POS, etc.

Product image

